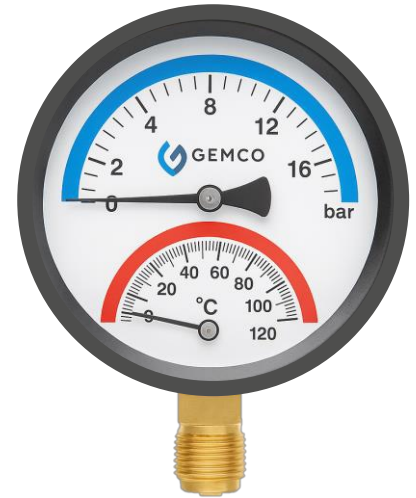


GEMCO Thermomanometer

Standard:
EN 837 – 1 (Pressure)
EN 13190 (Temperature)

Technical Specifications

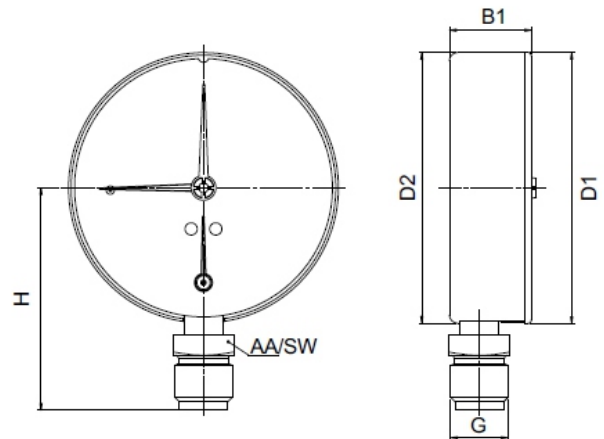
Standards: EN 837 – 1 (Pressure) / EN 13190 (Temperature)
 Case Material: Black painted steel / stainless steel upon request
 Connection: Brass, bottom type
 Stem Material: Stainless steel AISI 304
 Stem Length: 50, 80, 100 mm (custom lengths available)
 Accuracy Class: Pressure: 1.6 / Temperature: 2.0
 Window: Clear glass / polycarbonate
 Filling Liquid: Dry or glycerin - filled option
 Working Temperature: - 20°C to
 Mounting Type: Bottom connection with combined probe



General Description

That model, which is mostly used in heating applications, is designed for fitting them directly into the systems where the end-user can read both system's pressure and its temperature.

GEMCO thermomanometers combine pressure and temperature measurement in a single compact instrument. They are designed for use in heating, cooling, and water distribution systems, allowing users to monitor system conditions efficiently. The design is based on Pakkens models and manufactured according to EN 837-1 and EN 13190 standards.



Product Range

| Dial Diameter (mm) | Pressure Range (bar) | Temperature Range (°C) | Mounting Type |
|--------------------|----------------------|------------------------|-------------------|
| 63 | 0-6/0-10/0-16 | 0 - 120 | Bottom Connection |
| 80 | 0-6/0-10/0-16 | 0 - 120 | |
| 100 | 0-6/0-10/0-16 | 0 - 120/0 - 150 | |

Notes

All GEMCO thermomanometers are factory tested and calibrated. Custom logo printing, **OEM versions, and non - standard scale ranges are available upon request.**