

GEMCO Water Pressure Gauge for water systems

Standard:

EN 837 - 1

Technical Specifications

Standards: EN 837 - 1

Case Material: Steel, black painted

Ring: Snap - in steel ring

Bourdon Tube: Bronze / Brass

Connection: Brass, bottom or back entry

Window: Clear glass or polycarbonate

Filling Liquid: Glycerin (for filled version)

Accuracy Class: 1.6

Working Temperature: - 20°C to +60°C

Mounting Type: Bottom or back connection, panel or surface mount



General Description

GEMCO pressure gauges are designed for measuring the pressure of water and non - corrosive liquids. They are manufactured in accordance with EN 837-1 standards and available in both glycerin-filled and dry (non-glycerin) versions.

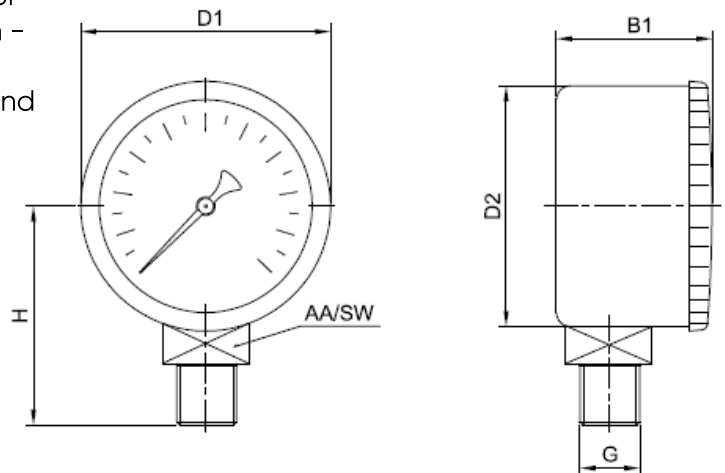
Ordering Code Example

WPG: Water Pressure Gauge

63: Diameter (mm)

10B: 0 - 10 bar, bottom connection

GF: Glycerin Filled



Product Range

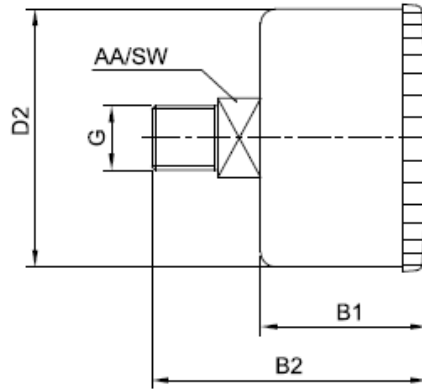
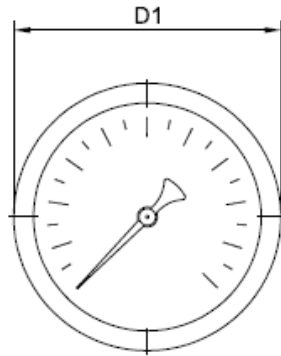
Nominal Diameter (mm)	Pressure Range (bar)	Version
40	0 - 4/0 -6/0-12	Dry / Glycerin Filled
50	0 - 4/0 -6/0-12	
63	0 - 4/0 -6/0-10/0 - 16/25/50	
100	0 - 4/0 -6/0-10/0 - 16/25/50	
160	0 - 4/0 -6/0-10/0 - 16/25/50	

Notes

All gauges are calibrated and tested before shipment. Customized scales, logo printing, and OEM versions are available upon request.

GEMCO Water Pressure Gauge for water systems

02-Back Connection



03-Back Connection Panel Mount

