

ELECTROTHERMAL ACTUATOR

INTRODUCTION

NC2 & NC4

230V AC 50 Hz

PC+PA6

2.5W

IP54



Electric actuators, ON-OFF type, to be mounted on the fluid shut-off devices (radiator valves, manifolds for heating and/or air conditioning systems).

It is not possible to replace the power supply cable of this device; if the cable is damaged, the control device should be discarded.

We accept no responsibility for any improper use of the actuator.

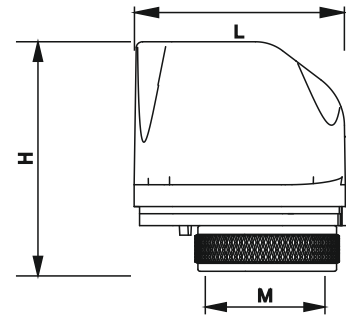
TECHNICAL DATA

- Stroke: 4mm
- Actuation Force: 120N
- Voltage: 230V AC 50Hz
- Power consumption: 2,5W
- Version: NC (Normally Closed) 2-wire 4-wire
- Running time: 180s~300s
- Degree of protection: IP54
- Housing materials: PC+PA6
- Connecting cable: 2x0.5 mm Length 750 mm
- Ambient temperature range: 0°C up to 60°C
- Storage temperature range: -25°C up to 60°C

ELECTROTHERMAL ACTUATOR

TECHNICAL SPECIFICATION

H (mm) 61 L (mm) 49
 Connection M30x1.5
 Weight(g) 149



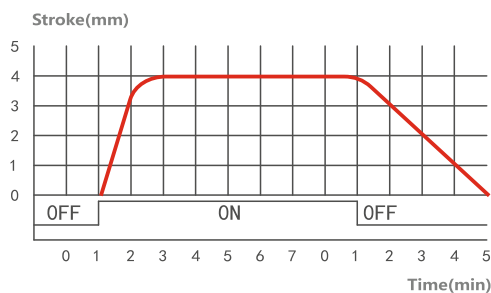
OPERATION

Normally closed version (NC) 2- and 4- wire

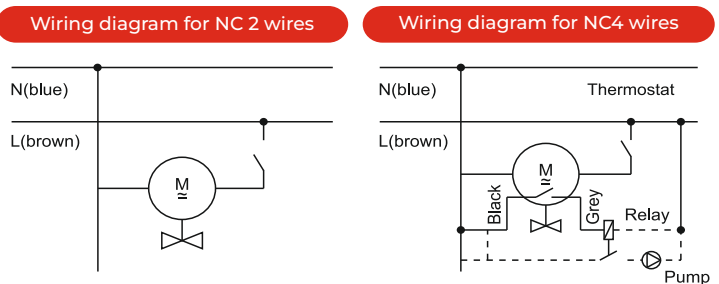
When mounting the actuator on the valve body, the valve plug shuts off the flow of fluid. When voltage is applied a linear movement of the thermostatic element is caused the valve plug opens which then allows the fluid to flow.

When the voltage is removed, the valve plug is closed again.

FUNCTION DIAGRAM



WIRING DIAGRAM



TECHNICAL MANUAL

ASSEMBLY



The electrothermal actuator can be installed in any mounting position.

www.gemcohvac.com



WARNING: NEVER OPEN THE ACTUATOR BODY CASING EVEN OF FAILURE, AS THIS COULD CAUSE INJURY.