

ROTARY ACTUATOR MIXING/DIVERTING VALVE

Actuators Rotmix are compact and simple heating controllers that are installed directly onto the mixing valve and diverting valve with function on/off. Compact design, fast installation, ease of use and reliability.



Actuator is mounted directly on the shaft of the valve body and fixed with one screw. Fasteners supplied with the actuator. The mounting position of the actuator can be selected with step 90 degrees (due to its small size and compact shape). Rotmix is suitable for most applications, including @ pump block in a insulation. The angle of rotation is limited to 90 degrees. The actuator is connected to the valve by the sleeve (included in the package).



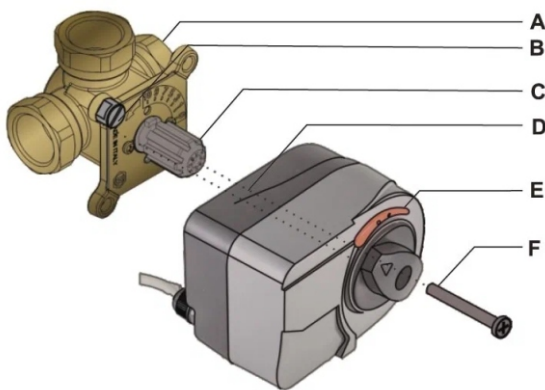
Including the adapter for European standard

ACASO (TERMOMIX), BARBERI, FER TERM, PAW, EURONORM, ESBE, IMP, DANFOSS, BESSER, SELTRON, LOVATO, STRAWA, CIMBERIO

ROTARY ACTUATOR MIXING/DIVERTING VALVE

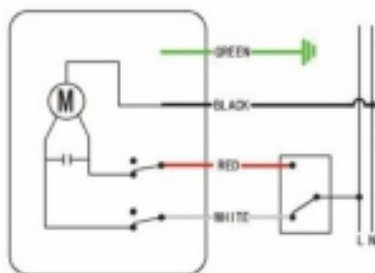
TECHNICAL DATA

Torque: 6 Nm (Max)
 Cable Length: 1.5M
 Power supply: 220-230V Ac, 50-60HZ, 24VAc
 Absorption: 4 VA
 Operating temperature: -5°; +50°C
 Protection grade: IP44
 Rotation time: 60-120 sec.
 Rotation angle: 90°
 Type of command: 3 point
 Valve connection: 1/2"-3/4"-1" - 1 1/4"

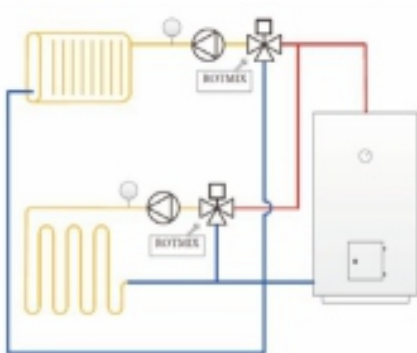


Wiring diagram:

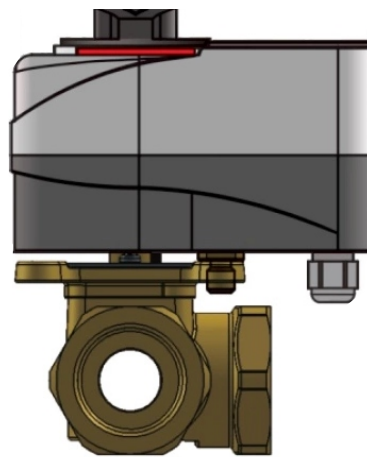
Connection 3 point version



Installation example:



Mixing valve in underfloor or radiator heating system



- 1) Turn the valve spindle counterclockwise, till it be in finish position (open or closed). Remove the handle which supply with valve.
- 2) The prevents rotation screw B set in a convenient hole on the valve (if necessary remove an existing screw).
- 3) Install the adapter C to the axis of the valve.
- 4) Install the drive D to C adapter and, if necessary, turn slightly clockwise until it enters into engagement with the screw B. (the leaner of actuator supply in the counterclockwise position).
- 5) Click on the school E, the position (opened/closed) and place it on the drive.
- 6) Tighten the whole unit using the screw F.
- 7) connect the drive to a power source.

FUNCTIONS:

- + Manual adjustment
- + Position indicator

Install instruction:

