

Static Balancing Valve Bronze Threaded (PN 25)

Cast Bronze

T-3010

General Specifications

Working Temperature : -10 ... +120 °C (25 Bar)

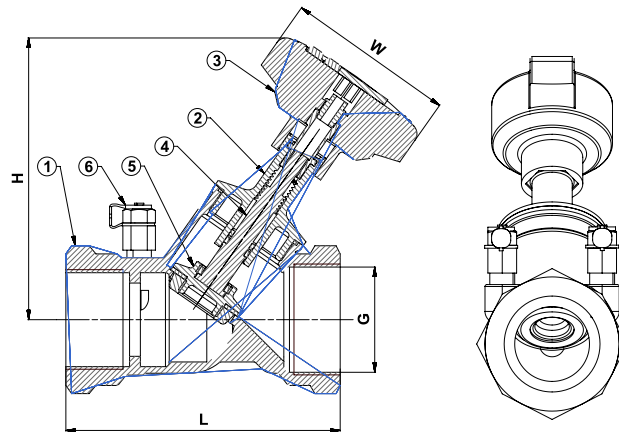
Standards

Thread Standard : ISO 7-1

Tests : TS EN 12266-1

Applications

Heating and cooling systems and other water systems



Material Specifications

Part Name

1. Body
2. Bonnet
3. Handwheel
4. Stem Cu
5. Disc
6. Measurement probe

Material

- G-CuSn5Zn5Pb5 - Rg5 - Cast Bronze
- CuZn40Pb2 - CW617N - Brass
- Ebonite
- Zn40Pb2 - CW617N - Brass
- CuZn40Pb2 - CW617N - Brass
- CuZn40Pb2 - CW617N - Brass



Dimensions

Nominal Pressure	25 Bar						
Nominal Diameter	DN	15	20	25	32	40	50
Valve Dimensions	G	1 / 2"	3 / 4"	1"	1 1 / 4"	1 1 / 2"	2"
	L	87	96	100	114	125	146
	H	105	106	125	128	143	144
	W	70					
Weight	Kg	0,550	0,600	0,840	1,050	1,410	1,950